

**All India Institute of Medical Sciences Bhopal  
Saket Nagar, Bhopal, MP- 462024**

**Notice Inviting Quotation**

**File no. 6008/Hospital works/EE(C)/AIIMS/BPL/2014-15**

**Date 01.09.2014**

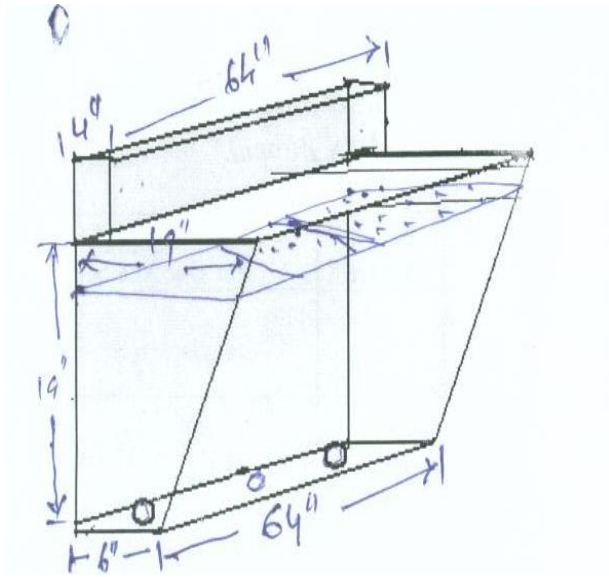
On behalf of Director AIIMS Bhopal. Sealed quotations are invited by the Executive Engineer (Civil) AIIMS BHOPAL which will be received at the above office, from experienced Civil Contractor who has been done similar type of works.

**Name of Work:** - Supplying and fixing Surgical Scrub Sink made of SS 304 at AIIMS OPD.

**Estimated Value of work** : **Rs. 62893/-**  
**Period of Completion** : **15 Days**  
**Quotation opening Date** : **09.09.2014 (01:00 P.M.)**

It. No.	Sub-heads and items of work	Qty.	Rate to be quoted by Contractor inclusive all tax & duties		Per	Amount
1	304 GRADE 1.2MM THICK STAINLESS STEEL Scrub Sink 64"X19"X19" Drawing, Design, Specification enclosed. Complete fixing & plumbing.	3			Cum	

**Executive Engineer (Civil)  
AIIMS Bhopal**



Welded stainless steel construction all panels are type 304 stainless steel with a No. 4 finish all exposed welds are ground and polished to blend and match adjacent surfaces with drain best coupling. All inside corners are coved to promote drainage and for ease of cleaning. The underside of the bowl is sound deadened. Make arrangement to provide 2 grill (tray) one perforated and one non-perforated of 304 SS Steel 16 SWG for putting surgical instruments on it.

**304 GRADE 1.2MM THICK STAINLESS  
STEEL 64"X19"X19"**

**Executive Engineer (Civil)  
AIIMS Bhopal**

## **Terms & Conditions:**

1. The quotations must be submitted in a sealed envelope duly mentioning the NIQ number and name of the work.
2. Time is the essence of the contract.
3. **PAYMENT TERMS:-** Payment shall be released after the successful completion of Supply (and installation ) of the items and receipt of bill after deducting TDS as per Income tax Rules and any other deductions as per Government rules. Part payment can be released against completion of part quantity of the Items of supply in form of running bill. However on the completion of supply, the entire items shall have to be completed within the stipulated period. 100% PAYMENT WILL BE MADE AFTER completion of supply, after adjustment of supply and amount paid in part payment made, if any full satisfaction of the Engineer In-charge. Payment shall be made through Account Payee Cheque or Electronic Clearing System only and the charges shall be deducted from the bill.
4. Payment shall be made through Account Payee Cheque or Electronic Clearing System only and the charges shall be deducted from the bill.
5. Tenderers may please note that they shall follow the safety and security procedures while at work in AIIMS as per the Institute's norms
6. Tenderers may please note that the work should be executed as per the standard specification and the measurements shall be recorded CPWD accordingly.
7. The work shall be carried out as per standard specifications of CPWD relevant IS code if the CPWD specification are silent and also as per manufacturers specifications as directed by Engineer-In-Charge.
8. If the contractor fails to maintain the required progress or to complete the work and clear the site on or before the expiry of contract period he shall on account of such breach, pay agreed compensation at ½% of the value of the work per week subject to maximum of 10% of tendered value of work.
9. AIIMS does not bind itself to accept the lowest or any other quotation, and reserves the authority to reject any or all of the quotations or to allot part of the works to different agencies without assigning any reason thereof. All quotations, in which any of the prescribed conditions is not fulfilled or the agencies put any condition not acceptable to AIIMS, Bhopal including that of conditional rebate is liable to be summarily rejected.
10. The quotation must be quoted duly typed on the letter heads of the supplier / manufacturer duly mentioned full address, VAT No. / PAN No. / TDS No. / TIN No. and must be in a sealed cover which should be superscribed Quotation for "Name of work".

**Yogesh Purswani**  
**Executive Engineer (Civil)**

### **Copy to :-**

1. Director AIIMS, Bhopal.
2. Notice Board, Medical College.
3. Notice Board, Project Office, AIIMS Bhopal.
4. Notice Board, Maintenance Office, Type –III, Residential Area, AIIMS Bhopal.
5. I.T. Section, AIIMS Bhopal for Publication in Website.

